

RESIDENTIAL Color Chart

SIGNATURE® 200 Standard Colors

SILICONIZED POLYESTER
Polar White is a Straight Polyester.

- Final color selection should be made from actual color chips.
- For the most current information available, visit our website at www.mbc.com.
- See product catalog for gauge and color availability.
- Signature® is a registered trademark of NCI Group, Inc.
- A 25-year limited paint warranty available for all colors upon written request. (Outside the United States, please inquire.)



COAL BLACK★
SR .30 SRI 31



IVY GREEN*★
SR .28 SRI 30



BURNISHED SLATE★
SR .28 SRI 29



BURGUNDY★
SR .28 SRI 30



RUSTIC RED*★
SR .36 SRI 40



KOKO BROWN*★
SR .28 SRI 30



GALLERY BLUE★
SR .28 SRI 30



CRIMSON RED★
SR .33 SRI 34



CHARCOAL GRAY*★
SR .28 SRI 30



HAWAIIAN BLUE★
SR .32 SRI 35



BUCKSKIN★
SR .34 SRI 38



DESERT SAND★
SR .42 SRI 48

ESTATE™ Series & SLIMLINE® Panel 29-GAUGE

* Also available in 26-gauge. Please inquire for additional color availability, pricing and lead-times.



GRAY*★
SR .46 SRI 53



REGAL WHITE*★
SR .52 SRI 61



SADDLE TAN*★
SR .48 SRI 56



LIGHT STONE*★
SR .50 SRI 58



IVORY★
SR .65 SRI 78



POLAR WHITE★
SR .58 SRI 69

5V Crimp

26-GAUGE



FERN GREEN★
SR .28 SRI 29



MARINE GREEN
SR .32 SRI 33



POLAR WHITE★
SR .58 SRI 69

Albuquerque, NM
800.677.2524

Farmington, NM
800.624.9053

Las Cruces, NM
800.677.2509

Baytown, TX
800.606.8271

Cleveland, TX
800.952.3613

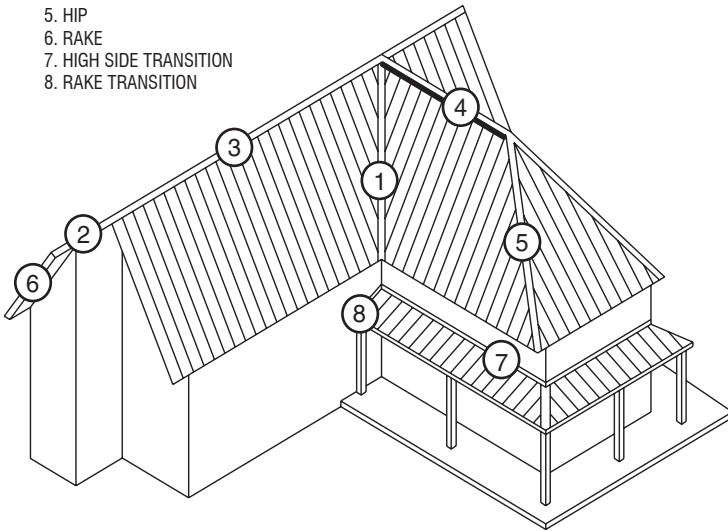
Waller, TX
800.531.2731

★ ENERGY STAR
Qualified Color



Trim Application

1. VALLEY
2. PEAK
3. RIDGE
4. VENTED RIDGE
5. HIP
6. RAKE
7. HIGH SIDE TRANSITION
8. RAKE TRANSITION



SEE ESTATE SERIES AND 5V CRIMP MANUAL FOR ABOVE DETAILS



What is

SOLAR REFLECTIVITY (SR)?

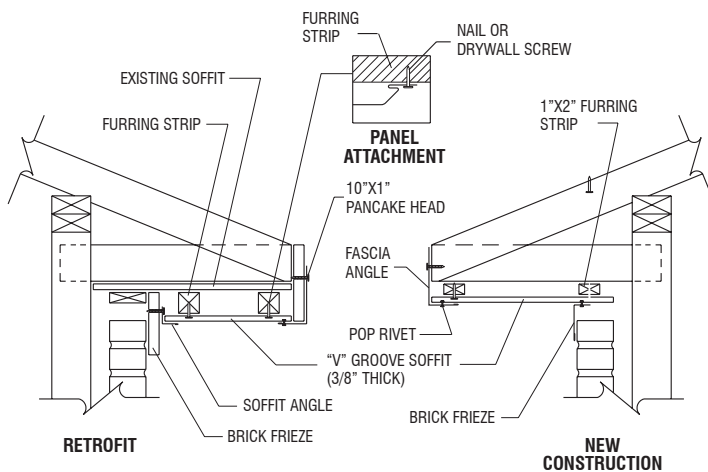
Solar reflectivity or reflectance (SR) is the ability of a material to reflect solar energy from its surface back into the atmosphere. The SR value is a number from 0 to 1.0. A value of 0 indicates that the material absorbs all solar energy and a value of 1.0 indicates it is all reflected. ENERGY STAR requires SR testing of both new and aged roof products. New products must have an SR value of 0.25 or higher for steep slope (above 2:12) roofing and an SR value of 0.65 or higher for low slope (2:12 or less) roofing. Aged testing takes 3 years to complete, so not all products that meet the initial requirements are qualified. For more information, please go to www.energystar.gov.

What is

Solar Reflectance Index (SRI)?

The SRI is used to determine compliance with LEED requirements and is calculated according to ASTM E 1980 using values for reflectance and emissivity. Emissivity is a material's ability to release absorbed energy. To meet LEED requirements, a roofing material must have an SRI of 29 or higher for steep slope (above 2:12) roofing and an SRI value of 78 or higher for low slope (2:12 or less) roofing. For more information, please go to www.usgbc.org.

"V" Groove Soffit Applications



SIGNATURE® 200 - SILICONIZED POLYESTER

	SR #	SRI #
COAL BLACK	.30	31
IVY GREEN	.28	30
BURNISHED SLATE	.28	29
BURGUNDY	.28	30
RUSTIC RED	.36	40
KOKO BROWN	.28	30
GALLERY BLUE	.28	30
CRIMSON RED	.33	34
CHARCOAL GRAY	.28	30
HAWAIIAN BLUE	.32	35
BUCKSKIN	.34	38
DESERT SAND	.42	48
GRAY	.46	53
REGAL WHITE	.52	61
SADDLE TAN	.48	56
LIGHT STONE	.50	58
IVORY	.65	78
FERN GREEN	.28	29
MARINE GREEN	.32	33
POLAR WHITE	.58	69